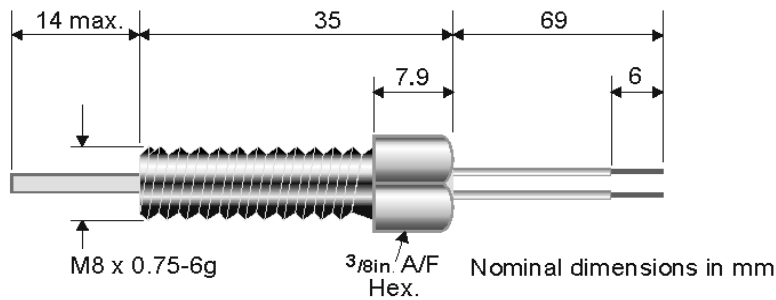


Leaffield

Engineering Limited



PROTRACTOR C8916110A

GENERAL DATA

Stroke	13.75mm min. to 14.0mm max.
Piston diameter	2.45mm max.
Weight	13g
Maximum tightening torque	1.5Nm
Materials	Brass body, stainless steel piston
Operating temperature	-40 °C to +80 °C (for temperature/life data please consult LEL)
Life (20°C)	15 years
HSE classification	Non-explosive
Transport	Normal parcel post

OPERATION

On firing, the piston will actuate at high velocity. There is no release of gas and no fragmentation.

PERFORMANCE

Guaranteed minimum work output	10J
Typical function time	5ms
Available thrust (start of stroke)	2.0kN
Available thrust (end of stroke)	0.4kN

ELECTRICAL CHARACTERISTICS

Circuit resistance	1.85 ±0.55Ω
Maximum no fire current	0.2A
Recommended fire current	0.9A
Maximum test current	0.01A
Insulation resistance	>150MΩ at 100V DC
Earth monitoring voltage	250V DC (max.) continuous
Electrostatic resistance (pin to case)	Withstands discharge from 150pF capacitor charged to 2kV with 330Ω resistor in series in accordance with IEC1000-4-2 (level 1). For protection to higher ESD levels please consult LEL.

REF NO: 1038
ISSUE NO: 2
ISSUE DATE: 25 March 2003

PRODUCT SAFETY DATA SHEET

1. **PRODUCT NOMENCLATURE**

PROTRACTOR, EX7202 (C89-161-10A Variant)

2. **USES**

Used to frange glass.

3. **HAZARDOUS INGREDIENTS**

<u>Material</u>	<u>Hazard</u>	<u>Nominal Mass Per Unit</u>
TUBAL 4	Deflagration	16 mg max.

Note: Deflagration effects are totally contained within the body.

4. **PHYSICAL PROPERTIES: CHEMICAL PROPERTIES, SENSITIVENESS CHARACTERISTICS**

Physical Properties

Appearance Brass body with Silver Steel protracting shaft.
Hazardous material contained within body with end
closure to fully seal.

Chemical Properties

Incompatible with acids and alkalis.

Sensitiveness Characteristics

Sensitive to flame	may burn to cause operation.
Conditions to avoid:	open flame, electric spark, or charge exceeding the specified no-fire current, prolonged exposure to temperatures above 125°C

5. HEALTH HAZARDS

Precautions

- 5.1 Slight hazard may result if an attempt is made to tamper with or dismantle these devices before or after operation.

Slight hazard resulting from inadvertent operation caused by rapid movement of protracting shaft.

- 5.2 Inadvertent operation will result in the shaft (dia Ø2.5mm) protracting rapidly out of the body, a total distance of 16mm, causing a low risk to personnel safety but component will be lost.

6. FIRE AND EXPLOSION

These devices will operate in the presence of excessive heat, typically above 125°.

Hazardous decomposition: None. No outgassing produced.

7. STORAGE PRECAUTIONS

Store in original packaging in well ventilated, dry store.

Storage life in original packaging is 10 years under ideal temperature conditions (20°C).

8. TRANSPORT, PACKAGING AND LABELLING

These items are classified non-explosive (provisional) and as such no special precautions are required for transport, packaging and labelling. Transport is by normal parcel post.

9. DISPOSAL INSTRUCTIONS

Used or life expired devices, may be returned to Leaffield Engineering Limited for disposal.

10. EMERGENCY ACTION

Fire represents the principal risk to safety due to the likelihood of operation. If possible and without risk to safety the devices should be removed from the immediate location of a fire.

If the packaging is burning, do not attempt to fight fire.

Call emergency services. Evacuate the immediate area.

11. ADDITIONAL INFORMATION

Refer to Leaffield Engineering Limited

Tel: 01225 810771